

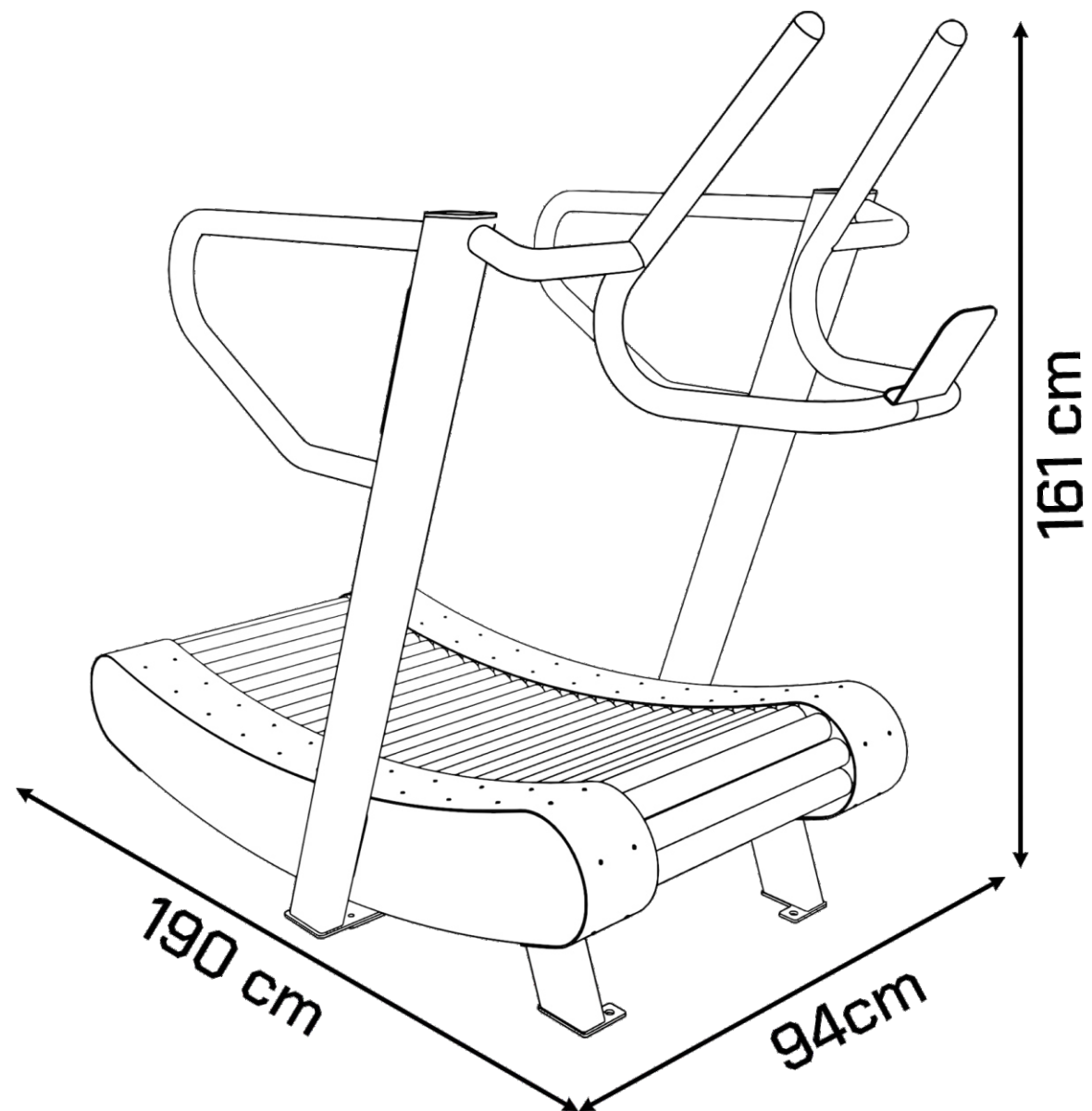
INSTRUCTION

iGreenMill

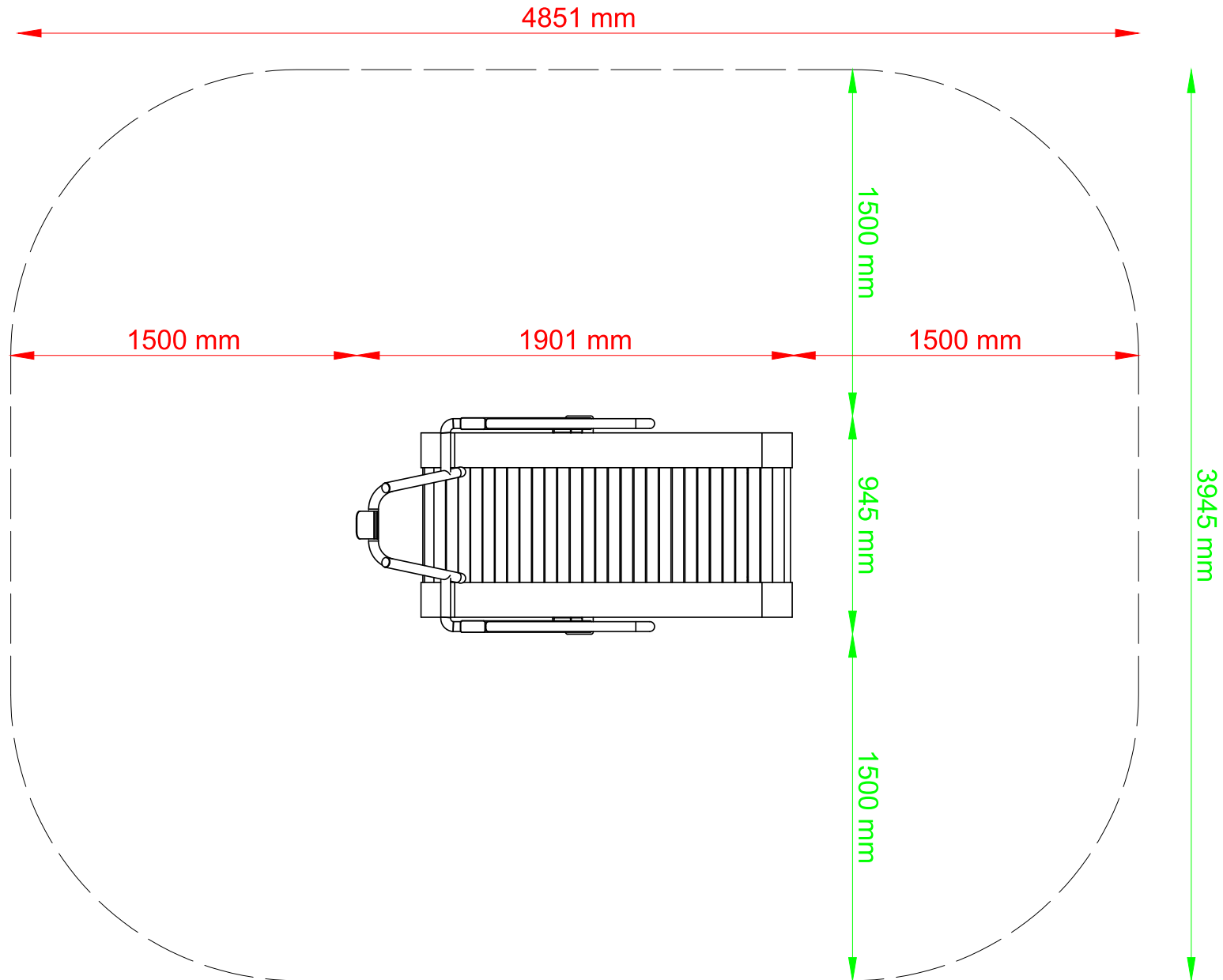
City



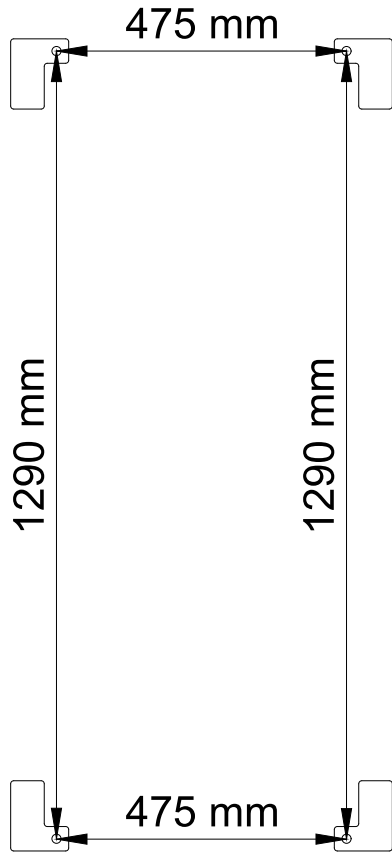
Device dimensions



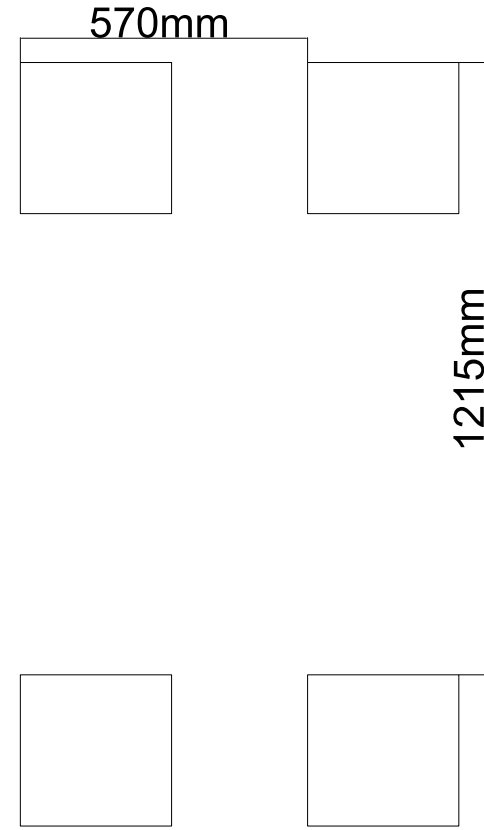
Safety zone



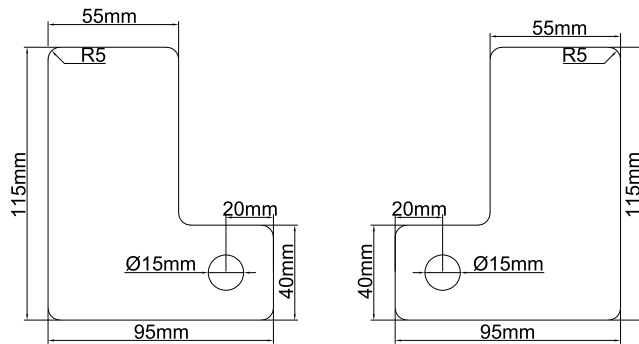
Device feet



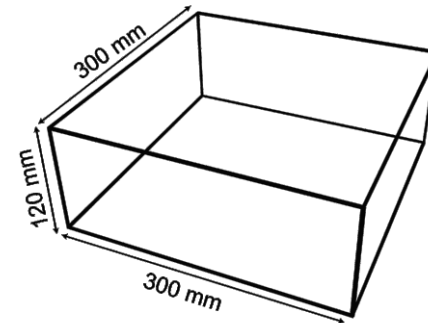
Foundation



Hole spacing

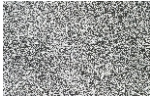


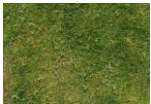
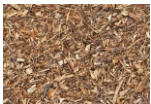

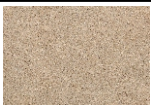



Foundation size



Types of ground, depending on the permissible free height of fall

iGreenMill has a fall area maximum ≤ 1000 mm

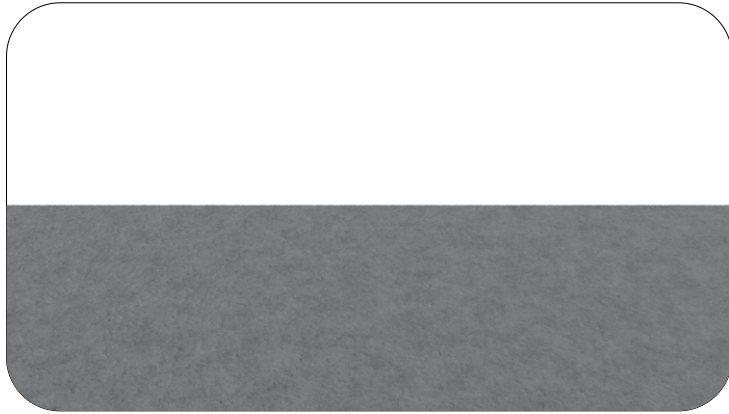
	Ground material ¹	Picture	Description	Minimum layer depth ^a mm	Max. height of fall mm
01	Concrete/stone		—	—	$\leq 1\ 000$
02	Bitumen-bonded surfaces		—	—	$\leq 1\ 000$
03	Topsoil		—	—	$\leq 1\ 200$
04	Lawn		—	—	$\leq 1\ 500$
05	Bark mulch		Crushed bark from conifers, 20 mm to 80 mm grain size	200	$\leq 2\ 000$
06	Woodchip		Mechanically crushed wood (no wood-based materials). without bark or foliage, 5 mm to 30 mm grain size	200	$\leq 2\ 000$
07	Sand		0,2 mm to 2 mm grain size	200	$\leq 2\ 000$
08	Gravel		2 mm to 8 mm grain size	200	$\leq 2\ 000$

¹ For loose fill material, add 100 mm to the minimum layer depth.

Assembly instructions for the device

- 1) Place the main part of the device on a stable surface.**
- 2) Attach the side parts of the device to the base. Use the following for this:**
 - a) 2x Wrench Open-End M17
 - b) 8x Screw M10x30
 - c) 8x Nut M10
 - d) 8x Plastic Cap M10
- 3) Attach the middle part of the device to the side parts. Use the following for this:**
 - a) 1x Wrench Hex Allen 5 mm
 - b) 1x Wrench Open-End M13
 - c) 2x Screw M8x50
 - d) 2x Nuta M8
 - e) 2x Plastic Cap M8
- 4) Attach the device to the ground using one of the 3 mounting methods:**
 - a) Mounting to a hard ground level surface.
 - b) Mounting to a hard below ground level surface.
 - c) Mounting to a concrete foundation below ground level.

Mounting to a hard ground level surface.

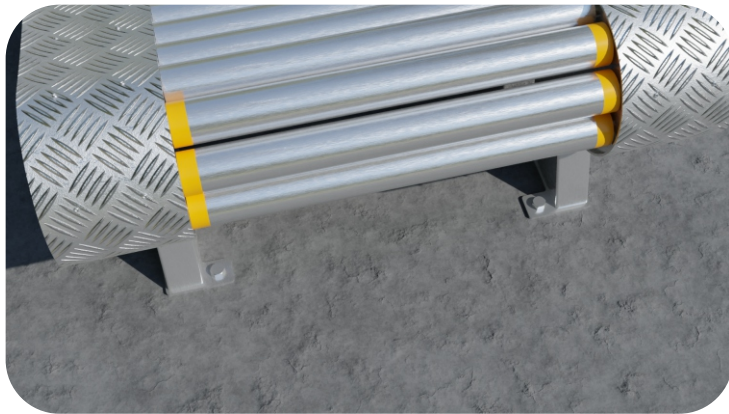


1) Choose an appropriate mounting location that meets the following requirements:

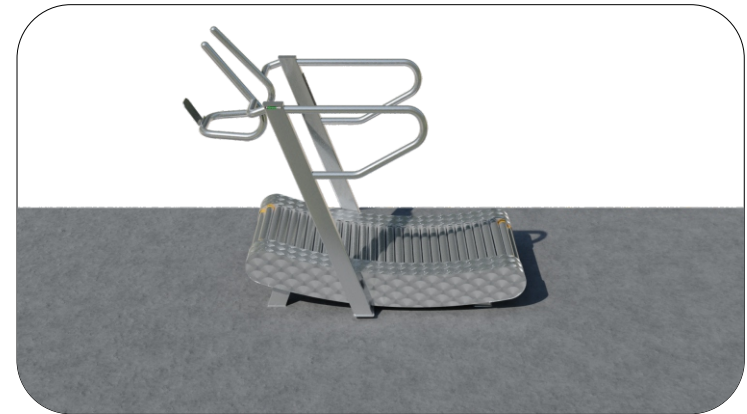
- a) The mounting location must be at ground level.
- b) The mounting location must have a hard surface - concrete, paving stones, wood, steel.



2) At the intended mounting site, drill 4 holes according to the "Device Feet" file and insert M14 expansion bolts into the holes.

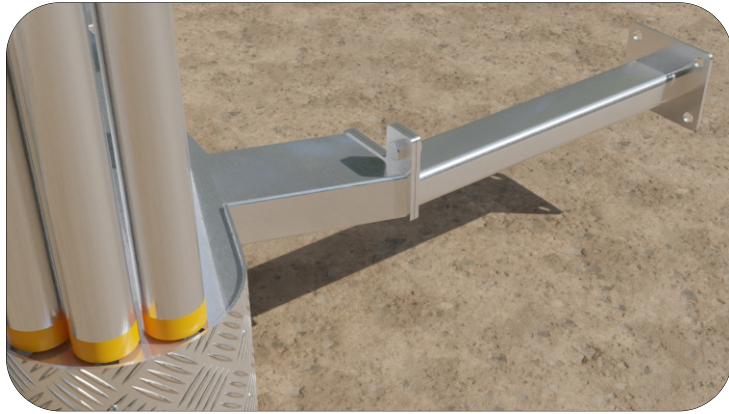


3) Place the device on the prepared site.

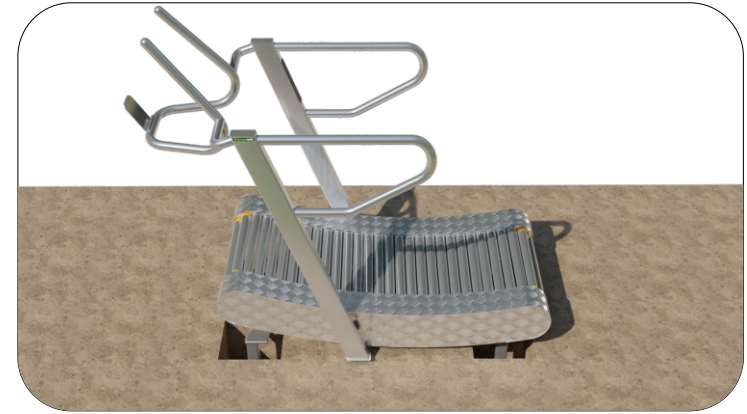


4) Attach the device to the foundation - use 4 M10x100 screws that fit the M14x100 expansion bolts and put on M10 plastic caps.

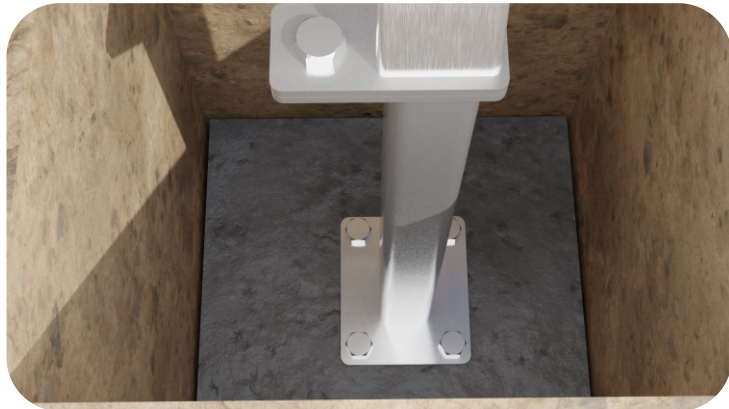
Mounting to a hard below ground level surface.



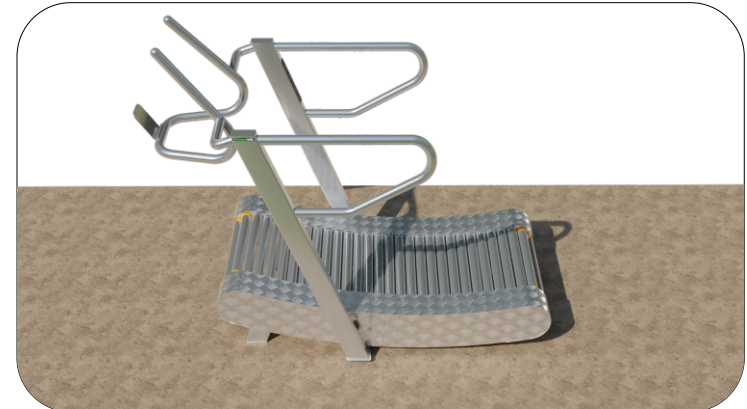
1) Attach a 40 cm extension to each leg of the device.



2) Place the device on a solid foundation - the foundation must be 40 cm below ground level.

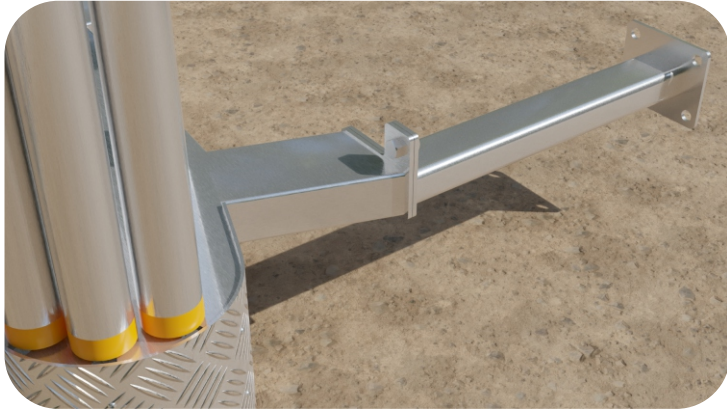


3) Attach the device to the foundation - use 4 M14x100 expansion bolts.

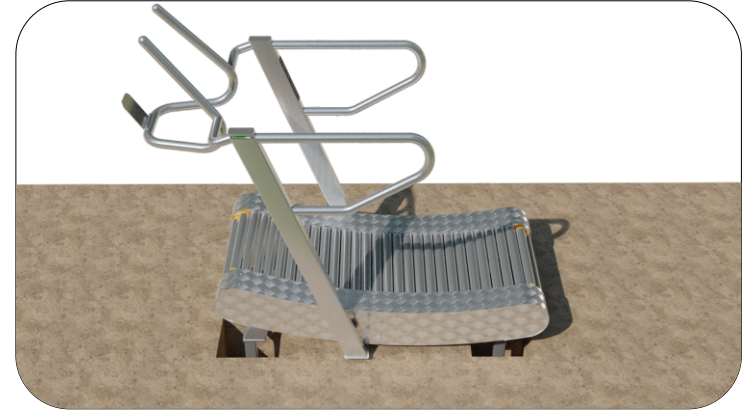


4) Backfill the mounting location and level the surface.

Mounting to a concrete foundation below ground level.



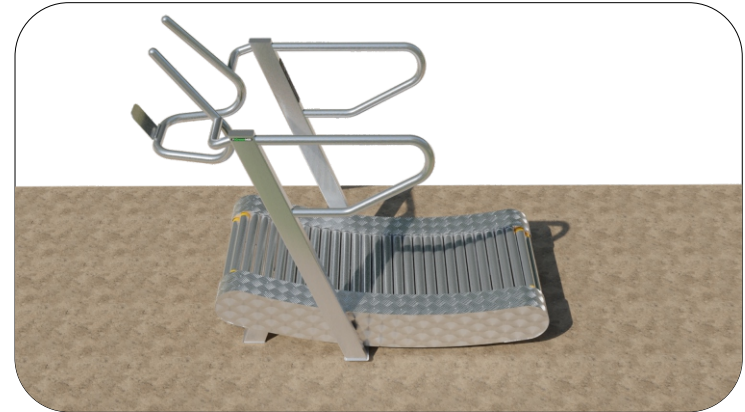
1) Attach a 40 cm extension to each leg of the device.



2) Place the device 40 cm below ground level.



3) Pour a 20 cm deep concrete foundation at the bottom.



4) Backfill the mounting location and level the surface.

MAINTENANCE

THROUGHOUT THE ENTIRE PERIOD OF USE:

Throughout the entire period of its use, maintain the cleanliness of the device and the surfaces around it.

REGULAR MAINTENANCE (ONCE A MONTH)

Once a month, clean the device using a cloth and water or another non-aggressive cleaning agent.

STAINLESS STEEL MAINTENANCE (EVERY 3 MONTHS)

Every 3 months, preserve the stainless steel by applying stainless steel cleaner and stainless steel preserving spray.

SCREW MAINTENANCE (EVERY 6 MONTHS)

Every 6 months, check the tightness of all screws and nuts.

ROUTINE MAINTENANCE (ONCE A MONTH)

1) Perform routine maintenance ONCE A MONTH.

2) Necessary equipment:

- a) Soft microfiber or cotton cloth (1 piece)
- b) Bottle of water 0.5 liters (water can be replaced with another non-aggressive cleaning agent)

OPTIONALLY:

- c) Spray - Quincy OS 777
- d) Soft microfiber or cotton cloth (1 piece)

3) Maintenance description:

- a) Using a cloth and a small amount of water, we clean the entire device from current dirt and grime.
- b) Visually inspect the device for any damage.
- c) Ready - repeat after a month.

OPTIONALLY:

- d) Optionally, we can use the "Spray - Quincy OS 777", which we spray on all stainless steel elements of the device.
- e) After a minute, using a second cloth, we wipe the entire device.

STAINLESS STEEL MAINTENANCE (EVERY 3 MONTHS)

1) Perform stainless steel maintenance ONCE EVERY 3 MONTHS.

2) Necessary equipment:

- a) Cream Cleaner - Quincy Plus 5000
- b) Spray - Quincy OS 777
- c) Soft microfiber or cotton cloth (4 pieces)
- d) Bottle of water 0.5 liters (water can be replaced with another non-aggressive cleaning agent)

3) Maintenance description:

- a) Using the first cloth and a small amount of water, we clean the entire device from current dirt and grime.
- b) After cleaning the current dirt, we apply a small amount of the product "Cream Cleaner - Quincy Plus 5000" to several different parts of the device.
- c) Using the second cloth, we spread the cream over the entire stainless steel surface of the device.
- d) Wait 10 minutes.
- e) After 10 minutes, we thoroughly wipe the entire device using the third cloth.
- f) Then apply the "Spray - Quincy OS 777" and spray all stainless steel elements of the device.
- g) After a minute, using the fourth cloth, we wipe the entire device.
- h) Ready - repeat after 3 months.

SCREW MAINTENANCE (EVERY 6 MONTHS)

1) Perform screw maintenance ONCE EVERY 6 MONTHS.

2) Necessary equipment:

- a) Flat wrench size 13 (1 piece)
- b) Flat wrench size 17 (2 pieces)
- c) Flat wrench size 19 (2 pieces)
- d) Flat wrench size 24 (2 pieces)
- e) Flat screwdriver (1 piece)

3) Maintenance description:

- a) Using a screwdriver, we remove all plastic caps protecting the screws.
- b) Using the appropriate wrenches, we check the proper tightening of all screws and nuts.
- c) Ready - repeat after 6 months.

Treadmill

1) What's in the box?

- a) Main part of the device - base with rungs.
- b) Side parts of the device.
- c) Middle part of the device.
- d) Parts to assemble the main part with the side parts:
 - i) 8x Screw M10x30
 - ii) 8x Nut M10
 - iii) 16x Plastic Cap M10
- e) Parts to assemble the side parts of the device with the middle part of the device:
 - i) 1x Screw M8x50
 - ii) 1x Nut M8
 - iii) 1x Plastic Cap M10
- f) Part for attaching the treadmill to a hard, ground-level surface:
 - i) 4x Expansion Bolt M14x100
 - ii) 4x Screw M10x100
 - iii) 4x Plastic Cap M10

2) What wrenches do you need to assemble the device?

- a) 2x Wrench Open-End M17
- b) 1x Wrench Hex Allen 5 mm
- c) 1x Wrench Open-End M13

3) What electrical tools do you need to assemble and install the device?

- a) You do not need electrical tools to assemble the device.
- b) To attach the assembled device to a solid foundation, you will need:
 - i) Hammer Drill
 - ii) Drill Bit M14x100

Additional sets

Extension set

1) What's in the package?

- a) 4x Extension 40 cm
- b) 8x Screw M10x30
- c) 4x Nut M10
- d) 4x Plastic Cap M10
- e) 16x Expansion Bolt M14x100
- f) 16x Screw M10x100

2) What wrenches do you need to assemble and install the extensions?

- a) 2x Wrench Open-End M17

3) What electrical tools do you need to connect the device to the extensions and install it on the foundation?

a) You do not need electrical tools to connect the device to the extensions.

b) To attach the assembled device to a solid foundation, you will need:

- i) Hammer Drill
- ii) Drill Bit M14x100

Wrench set for assembly

1) What's in the package?

- a) 2x Wrench Open-End M17
- b) 1x Wrench Hex Allen 5 mm
- c) 1x Wrench Open-End M13